



POT STRAINER

Series : SI - PN-16

S.I. (SI-PN-16 & SI-1001 H) Series Pot Strainers are manufactured in a wide variety of required specifications, Temperature / Pressure Rating & different types to meet specific requirement of Straining application in the HVAC System Water Line, Oil Field, Agriculture, *etc.*

FEATURES

High Capacity flow through out full size In-let / Out-let connection with large Flow Filtration area to minimize Pressure Drop and screen choking problems.

The cover is connected to the Body with Nuts & Studs and the filter screen is readily accessible and easily exchangeable.

APPLICATION

These Strainers are used in application for Industrial use and are provided with most modern design and construction, in accordance with the latest requirement of National & International standards. These Strainers are recommended for most types of Industrial Applications, ideal for HVAC & R Systems, Petrochemicals, Textiles, Agriculture, *etc.*

CONSTRUCTION FEATURES

Body available in Mild Steel or Stainless Steel with Brass/Bronze/Stainless Steel Filter Screens.

AVAILABLE SIZES

These Pot Strainers are available in various Types / Designs & sizes from 40mm upto 1000mm Flanged End Connection only.

QUALITY CONTROL

All the Raw Material used in the construction of these Strainer are produced from highest quality material and subject to stringent quality control. Each and every Strainer is Pressure tested prior to leaving factory.



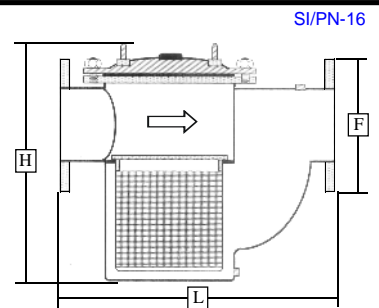
PIC-P-1



PIC-P-2



NOMINAL SIZES	(DN) MM	50	65	80	100	125	150	200	250	300
H	MM	280	304	330	406	495	546	660	812	914
L	MM	254	305	337	419	482	533	635	762	838
F	MM	152	165	184	215	254	279	336	406	475
Flange Thickness	MM	8	10	10	12	12	14	16	18	20



MATERIAL OF CONSTRUCTION (Drawing No : SI-PN-16)

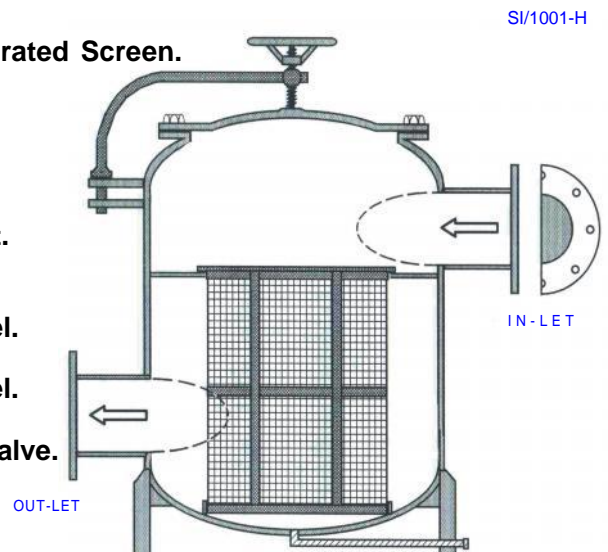
- | | | | |
|---|--------------------------------|---|---|
| 1 | Pot Strainer Body (Optional) | : | Mild Steel / Stainless Steel. |
| 2 | Pot Strainer Bonnet (Optional) | : | Cast Iron / Mild Steel / Stainless Steel. |
| 3 | Connecting Studs / Nuts | : | A - 307, Grade B. |
| 4 | Filter Screen | : | Stainless Steel Perforated Screen. |
| 5 | Body / Bonnet Gasket | : | Black Rubber Gasket / CAF. |
| 6 | Flanges (Optional) | : | Drilled As Per BS, ANSI, ASA Standards |
| 7 | Drain Plug | : | Mild Steel / Stainless Steel - 410. |

AVAILABLE SIZES : 40 MM TO 800 MM

NOTE : DIMENSIONS FOR POT STRAINER (DRG. NO : SI/PN-16) ABOVE 300MM ARE ONLY AVAILABLE ON REQUEST.

MATERIAL OF CONSTRUCTION (Drawing No : SI-1001 H)

- | | | | |
|---|--------------------------|---|------------------------------------|
| 1 | Strainer Body | : | Mild Steel / Stainless Steel. |
| 2 | Strainer Bonnet | : | Mild Steel / Stainless Steel. |
| 3 | Filter Screen | : | Stainless Steel Perforated Screen. |
| 4 | Body / Bonnet Gasket | : | Black Rubber Gasket. |
| 5 | Swing Arrangement System | : | Heavy Duty Mild Steel. |
| 6 | Hand Wheel | : | Heavy Duty Mild Steel. |
| 7 | Drain Plug | : | S.S.-410/Brass Ball Valve. |



AVAILABLE SIZES : 50 MM TO 1000 MM

POT STRAINER - DIMENSIONS

50 mm	POT DIAMETER	:	300 mm
	POT HEIGHT	:	400 mm
	FLANGE TO FLANGE LENGTH	:	460 mm
	BASKET DIAMETER	:	200 mm
	BASKET HEIGHT	:	240 mm
	PIPE LINE CONNECTION	:	050 mm
65 mm	POT DIAMETER	:	325 mm
	POT HEIGHT	:	425 mm
	FLANGE TO FLANGE LENGTH	:	505 mm
	BASKET DIAMETER	:	225 mm
	BASKET HEIGHT	:	240 mm
	PIPE LINE CONNECTION	:	065 mm
80 mm	POT DIAMETER	:	350 mm
	POT HEIGHT	:	450 mm
	FLANGE TO FLANGE LENGTH	:	550 mm
	BASKET DIAMETER	:	250 mm
	BASKET HEIGHT	:	250 mm
	PIPE LINE CONNECTION	:	080 mm
100 mm	POT DIAMETER	:	450 mm
	POT HEIGHT	:	500 mm
	FLANGE TO FLANGE LENGTH	:	600 mm
	BASKET DIAMETER	:	300 mm
	BASKET HEIGHT	:	280 mm
	PIPE LINE CONNECTION	:	100 mm
125 mm	POT DIAMETER	:	500 mm
	POT HEIGHT	:	600 mm
	FLANGE TO FLANGE LENGTH	:	660 mm
	BASKET DIAMETER	:	330 mm
	BASKET HEIGHT	:	340 mm
	PIPE LINE CONNECTION	:	125 mm
150 mm	POT DIAMETER	:	540 mm
	POT HEIGHT	:	700 mm
	FLANGE TO FLANGE LENGTH	:	710 mm
	BASKET DIAMETER	:	360 mm
	BASKET HEIGHT	:	390 mm
	PIPE LINE CONNECTION	:	150 mm
200 mm	POT DIAMETER	:	610 mm
	POT HEIGHT	:	815 mm
	FLANGE TO FLANGE LENGTH	:	785 mm
	BASKET DIAMETER	:	400 mm
	BASKET HEIGHT	:	470 mm
	PIPE LINE CONNECTION	:	200 mm
250 mm	POT DIAMETER	:	0800 mm
	POT HEIGHT	:	0995 mm
	FLANGE TO FLANGE LENGTH	:	0990 mm
	BASKET DIAMETER	:	0550 mm
	BASKET HEIGHT	:	0510 mm
	PIPE LINE CONNECTION	:	0250 mm

MATERIAL OF CONSTRUCTION

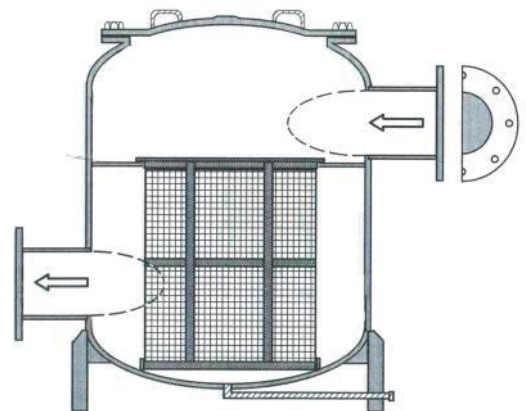
- 1 **Strainer Body** : Mild Steel / Stainless Steel.
- 2 **Strainer Bonnet** : Mild Steel / Stainless Steel.
- 3 **Filter Screen** : Stainless Steel Perforated Screen.
- 4 **Body / Bonnet Gasket** : Black Rubber Gasket.
- 5 **Drain Plug** : S.S.- 410 / Brass Ball Valve.
- 6 **Flanges** : As Per BS, ANSI, ASA

INSPECTION & TESTING
OF POT STRAINER AS
PER

BS - 6755

PART-1

SHELL =PN-10/PN-16



DRG. NO : SI/1001-H

POT STRAINER - DIMENSIONS

With Swing Arrangement System (From 400mm On-wards)

300 mm	POT DIAMETER	:	1000 mm
	POT HEIGHT	:	1105 mm
	FLANGE TO FLANGE LENGTH	:	1200 mm
	BASKET DIAMETER	:	0750 mm
	BASKET HEIGHT	:	0580 mm
	PIPE LINE CONNECTION	:	0300 mm
350 mm	POT DIAMETER	:	1190 mm
	POT HEIGHT	:	1300 mm
	FLANGE TO FLANGE LENGTH	:	1400 mm
	BASKET DIAMETER	:	0895 mm
	BASKET HEIGHT	:	0678 mm
	PIPE LINE CONNECTION	:	0350 mm

Pot Strainers With Swing Arrangement System

400 mm	POT DIAMETER	:	1350 mm
	POT HEIGHT	:	1500 mm
	FLANGE TO FLANGE LENGTH	:	1600 mm
	BASKET DIAMETER	:	1020 mm
	BASKET HEIGHT	:	0785 mm
	PIPE LINE CONNECTION	:	0400 mm
450 mm	POT DIAMETER	:	1518 mm
	POT HEIGHT	:	1700 mm
	FLANGE TO FLANGE LENGTH	:	1780 mm
	BASKET DIAMETER	:	1060 mm
	BASKET HEIGHT	:	0890 mm
	PIPE LINE CONNECTION	:	0450 mm
500 mm	POT DIAMETER	:	1690 mm
	POT HEIGHT	:	1800 mm
	FLANGE TO FLANGE LENGTH	:	1956 mm
	BASKET DIAMETER	:	1100 mm
	BASKET HEIGHT	:	0900 mm
	PIPE LINE CONNECTION	:	0500 mm
600 mm	POT DIAMETER	:	2000 mm
	POT HEIGHT	:	2200 mm
	FLANGE TO FLANGE LENGTH	:	2286 mm
	BASKET DIAMETER	:	1500 mm
	BASKET HEIGHT	:	1160 mm
	PIPE LINE CONNECTION	:	0600 mm
650 mm	POT DIAMETER	:	2006 mm
	POT HEIGHT	:	2235 mm
	FLANGE TO FLANGE LENGTH	:	2310 mm
	BASKET DIAMETER	:	1550 mm
	BASKET HEIGHT	:	1160 mm
	PIPE LINE CONNECTION	:	0650 mm

MATERIAL OF CONSTRUCTION

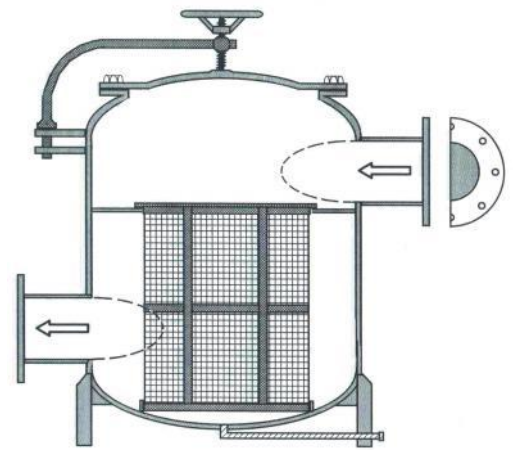
- 1 **Strainer Body** : Mild Steel / Stainless Steel.
- 2 **Strainer Bonnet** : Mild Steel / Stainless Steel.
- 3 **Filter Screen** : Stainless Steel Perforated Screen.
- 4 **Body / Bonnet Gasket** : Black Rubber Gasket.
- 5 **Drain Plug** : Brass Ball Valve.
- 6 **Flanges** : As Per BS, ANSI, ASA.
- 7 **Swing Arrangement System (From 400mm Onwards)** : Heavy Duty Mild Steel.
- 8 **Hand Wheel** : Heavy Duty Mild Steel / Cast Iron.

INSPECTION & TESTING
OF POT STRAINER
AS PER

BS - 6755

PART-1

SHELL=PN-10/PN-16



DRG. NO : SI/1001-H